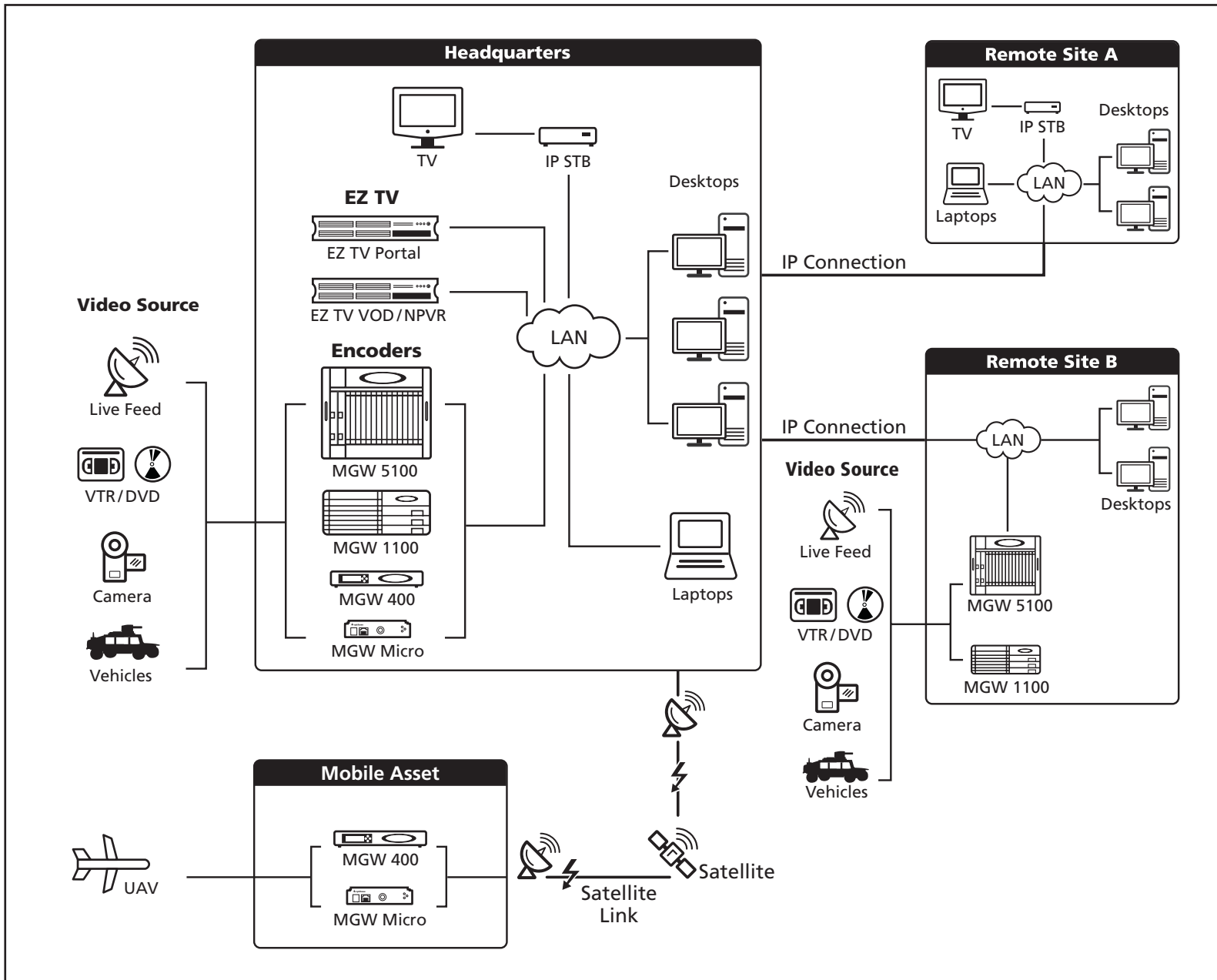


Situation Awareness Video Solutions



Legend:

Remote Site A

Standard remote site connected via IP link to the headquarters.

Remote Site B

Remote site that adds local channels. These channels can be transmitted back to the network and distributed to the headquarters and other sites or be available only locally at Site B.

Mobile Asset:

Remote location on the move with a portable encoder that streams video at low bit rates and uplinks it to satellite (after converting the signal to RF). Videos can also be saved to disk for VOD upload and retrieval.

Notes:
