

Optibase IPTV System Helps Humberside Police Fight Crime

Customer: Humberside Police, UK

Application: IPTV Solutions for Law Enforcement

Products: MGW1100 (H.264), Cluster Manager

Customer

Humberside Police serves a resident population of almost 90,000 people across an area of 1365 square miles around the U.K. city of Kingston Upon Hull and the Humber estuary on England's east coast.

Since 2003, Humberside Police officers have been using advanced IPTV technology to help them fight crime. Live video footage shot from a helicopter is transmitted to the Humberside Police's ground stations via an internal IPTV network.

The footage is viewed online which, enables the police to make informed decisions in a timely manner, whether it be in the case of an accident or spotting of suspicious persons. By seeing clearly what is happening on the ground, it enables them to mobilize the right resources to the site of the disturbance.

Meeting the Technology Challenge

Humberside Police currently use an IPTV MPEG-1 platform, sending live images from the helicopter to 10 or so of its largest stations over its intranet.

"One of the major drawbacks of our current solution is the quality of the MPEG-1 video says Graham Dawson, head of information services, Humberside Police, "When filming footage from a helicopter, the picture quality is a key factor in being able to pick up on the on-goings on the ground".

When every small detail can make a difference it is imperative to have the highest picture resolution possible to ensure critical and immediate decision making, based on the live footage transmitted from the event. At the same time, the transmitted video must fit into the bandwidth pipe.



Optibase's carrier-grade H.264 IPTV solution provides top picture quality without compromising the low bit rates required by Humberside Police to distribute the feeds over its intranet to its multiple PC clients and mobile units in the field.

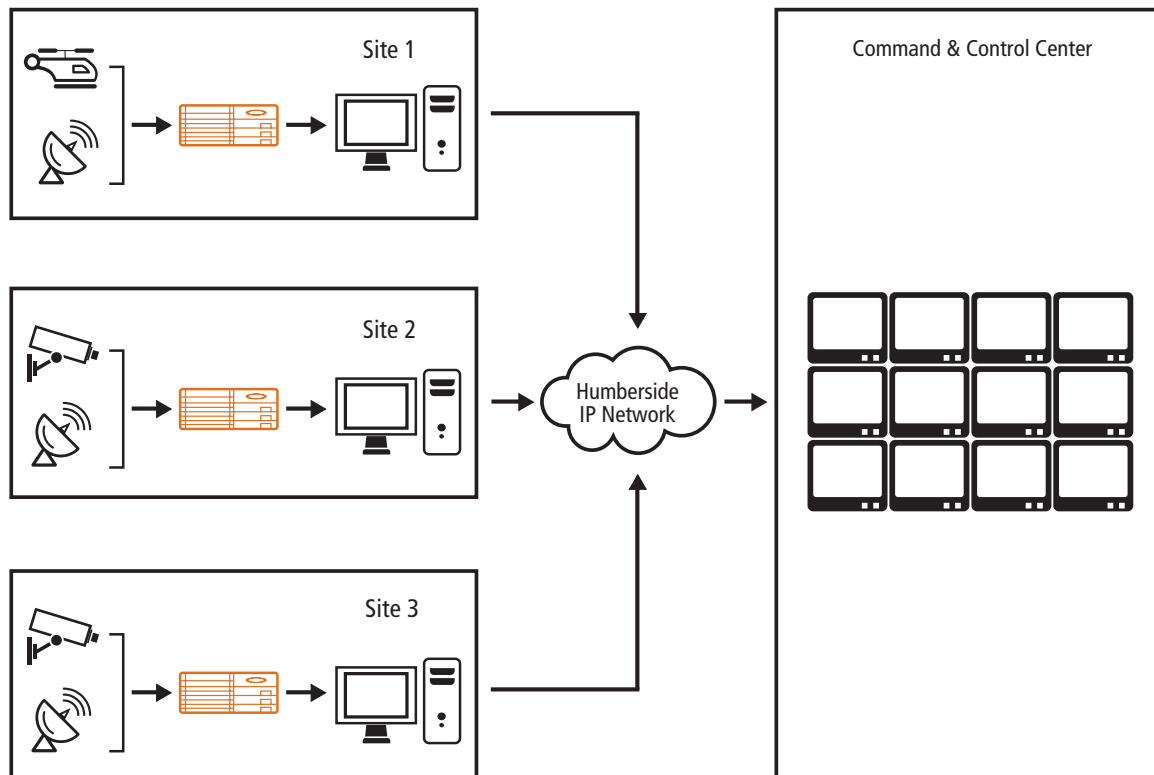


"Optibase was the obvious choice for us since their encoding technology was used in the Cisco IPTV system that we had. When we decided to upgrade our system, we went directly to the source of the video technology" says Dawson. The solution includes Optibase's MGW 1100, providing advanced H.264 encoding and streaming combined with Optibase's centralized management system, the Cluster Management software. Ariel footage taken from the police helicopters is transmitted to relay stations housing the MGW1100 platforms.

Complementing the MGW 1100 streaming platforms is the PC player and streaming server, which allows footage to be viewed from any PC client and via any channel on the officer's desktop.

Key Benefits

- H.264 video encoding provides the high picture quality necessary for detailed viewing and monitoring
- Carrier-grade system offers 24 hour reliable performance for mission critical applications
- Integrated solution allows for quick and cost effective deployment and maintenance
- H.264 video enables streaming to new transmission sources, such as laptops in squad cars and mobile personal digital assistants (PDAs) in the field



Americas HQ
 625 Ellis Street, Suite 102
 Mountain View,
 CA 94043, USA
 T: 1-800-451-5101
 F: 1-650-965-2764

International HQ
 7 Shenkar St., P.O.B 2170
 Herzlia 46120, Israel
 T: +972-9-9709-200
 F: +972-9-9709-222